

1-2-3 BUZZER SYSTEM

Warranty

Your *Novel Electronic Designs* 1-2-3 Buzzer System has a one year warranty (parts and labor). All warranty service must be performed by NED.

Add Players

Your buzzer system can have up to 12 buzzers. Additional buzzers are available from NED.

Service

NED's service is quick and economical.

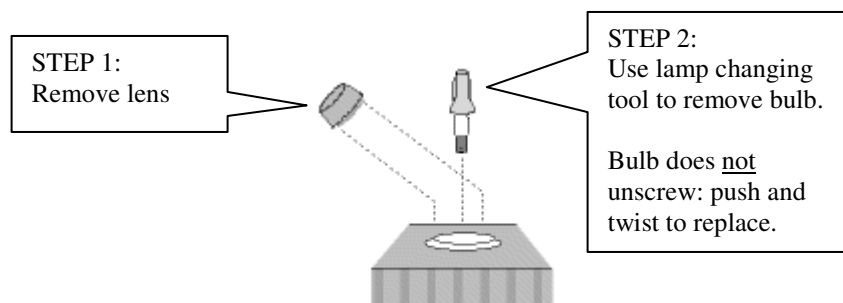
Overhauls – return your system to NED for complete inspection

Repair – return malfunctioning parts for repair or replacement

Troubleshooting

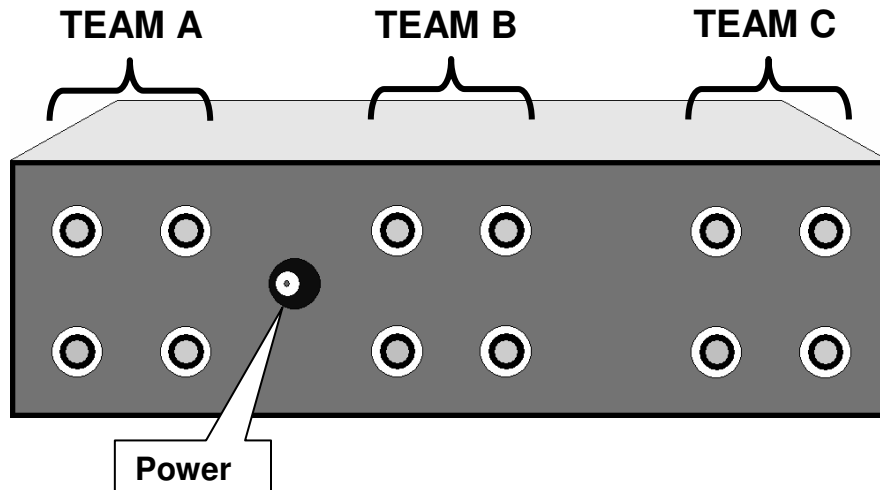
- Box doesn't buzz in:
 - Ensure connectors are pressed in firmly
 - Is cable broken? Try different cable.
- Box buzzes in but doesn't light up:
 - Replace light bulb (see below)
- Green LED on console doesn't light:
 - Confirm power pack is plugged into a live outlet
 - Ensure power connector is plugged firmly into console

Light Bulb Replacement



Novel Electronic Designs, Inc.
BUZZERSYSTEMS.COM

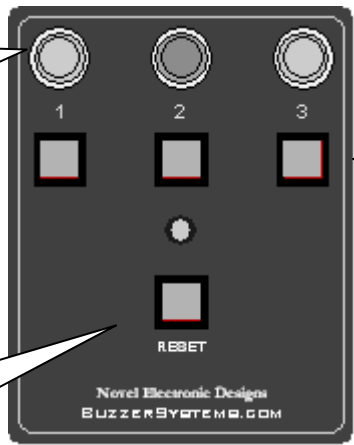
Connections & Controls



These lights come on to show when 1st, 2nd, and 3rd players have buzzed in.

Press these buttons to show 1st, 2nd, and 3rd place.

Press RESET to turn off all lights and start new question.

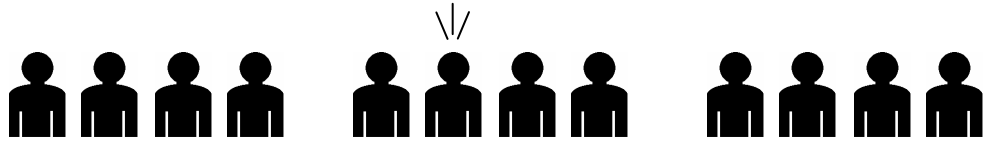
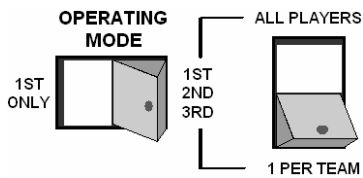


Novel Electronic Designs, Inc.
BUZZERSYSTEMS.COM

Operating Modes

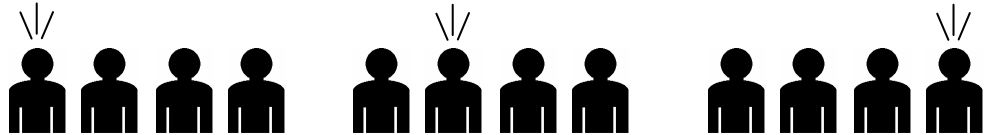
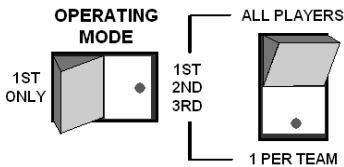
1st Player Only

The system buzzes when the first button is pressed.



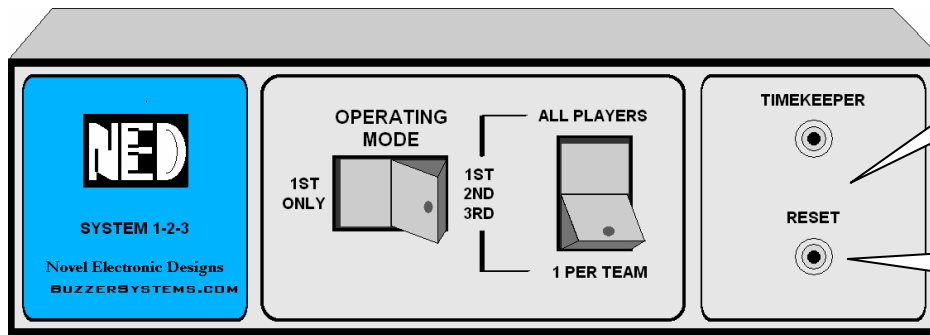
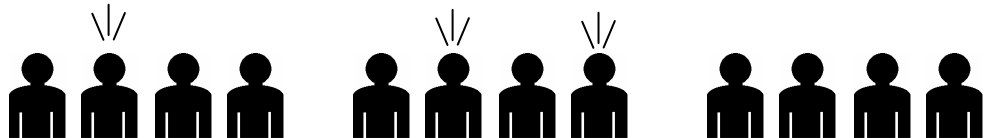
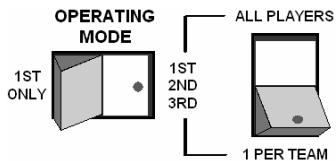
1st, 2nd, 3rd Players – One per Team Eligible

The system waits for three players to buzz in – only one player per team is allowed.



1st, 2nd, 3rd Players – All Players Eligible

The system waits for three players to buzz in – more than one player from the same team may buzz in.



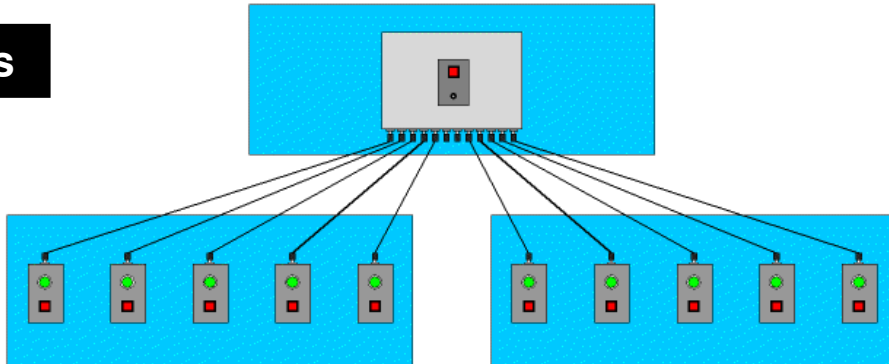
Connections for optional tabletop timer

Connection for optional remote-pause module

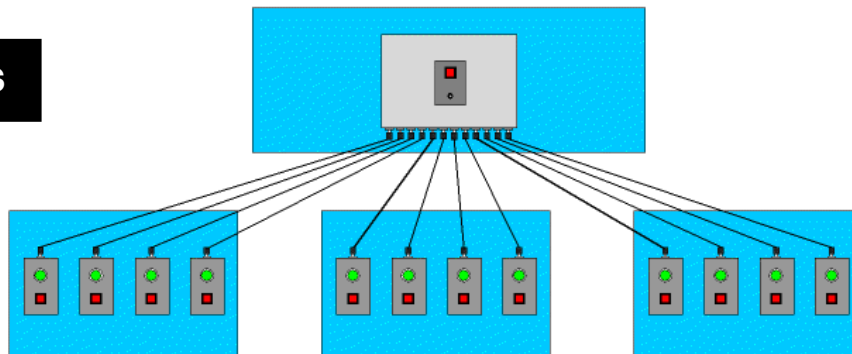
Novel Electronic Designs, Inc.
BUZZERSYSTEMS.COM

One System, Many Uses!

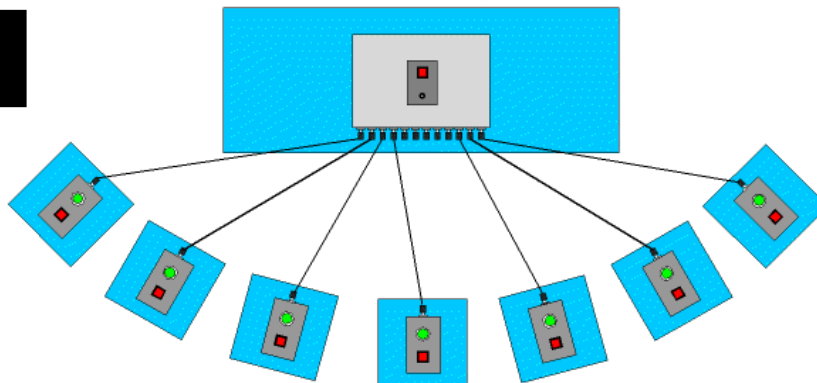
2 Teams



3 Teams



**Individual
Players**



Novel Electronic Designs, Inc.
BUZZERSYSTEMS.COM