

# TABLETOP TIMER

-- "Match" Version --

## Warranty and Service

Your *Novel Electronic Designs* "Match Timer" has a **two year warranty** (parts and labor). All warranty service must be performed by NED.

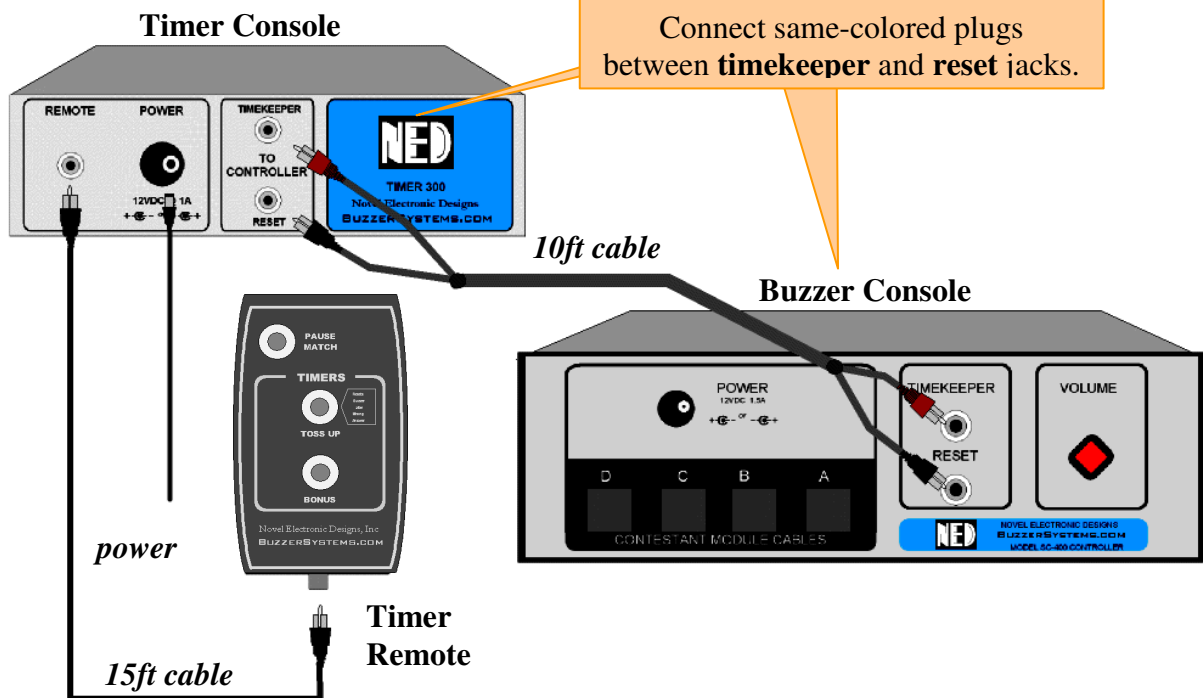
NED's repair service is quick and economical.

The latest copy of this manual is available at this link:  
<http://www.BuzzerSystems.com/doc>

## Contacting Us

Our up-to-date contact information is at our website  
<http://www.BuzzerSystems.com>

## Connecting Timer to your Buzzer System



Novel Electronic Designs, Inc.  
**BUZZERSYSTEMS.COM**

# Four Different Timers: How to Use Each Timer

## MATCH TIMER

*8:00 minutes\**

Display shows remaining match time when other timers are not running.

Press PAUSE to suspend the Match, press START-RESUME to continue.

Alarm: Long beep when match time expires.

### To RESET the Match Timer at any time:

1. press/release PAUSE
2. press and hold START-RESUME for 4 seconds (timer will count until reset is complete).
3. Timer will revert to pause; display will show full match time.

## TOSS-UP TIMER

*5.0 seconds\**

Display shows toss-up time remaining.

Timer auto-cancels when player buzzes in.

Manually cancel by pressing TOSS UP again.

If time expires, players are locked out momentarily while buzzer system makes "timeout" tone.

Match timer continues to run in background.

## BREAK TIMER

*2:00 minutes\**

Display shows break time remaining.

Manually cancel by pressing BREAK again.

### Match timer is paused.

When break is over, press START-RESUME to continue match.

## BONUS TIMER

*20.0 seconds\**

Display shows bonus time remaining.

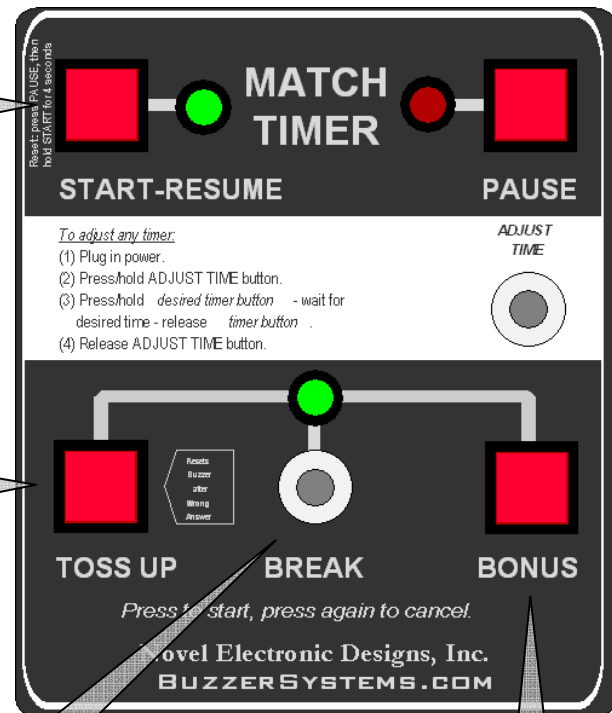
Manually cancel by pressing BONUS again.

Alarms\*:

- 5-Second (1 beep)
- End-of-Bonus (2 beeps)

When time expires, buzzer system is cleared for next question.

Match timer continues to run in background.



**Novel Electronic Designs, Inc.**  
**BUZZERSYSTEMS.COM**

# *Managing the System During Toss-Up Questions*

## *Pause Match*

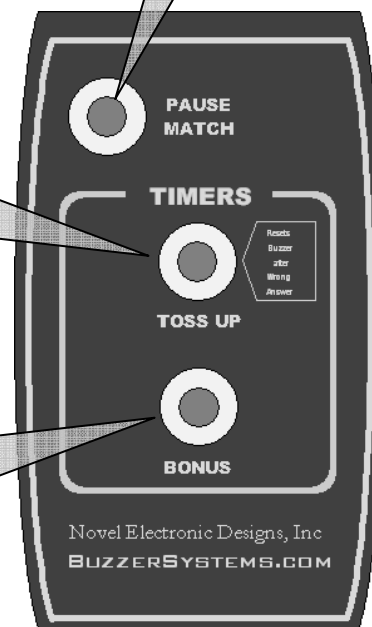
Press this button to pause the Match Timer. Press the START-RESUME button on the timer console to continue the match.

## *If the answer was wrong...*

- Press TOSS-UP *once* to clear the buzzer system, then
- press TOSS-UP *again* to restart the toss-up timer.

## *If the answer was correct...*

Press the BONUS button to start bonus timer. Buzzer system will be cleared at end of bonus time.



## **HANDHELD REMOTE**

*Timing functions can be easily and quickly managed with the handheld remote control.*

*The timer comes with a 15-ft cord; cord can be any length up to 100 feet.*

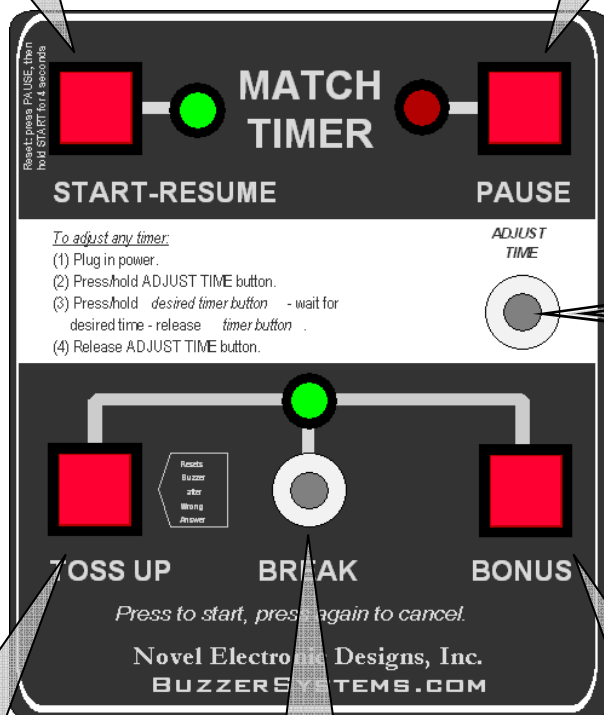
**Novel Electronic Designs, Inc.**  
**BUZZERSYSTEMS.COM**

# Adjusting Timers and Alarms

Bonus Timer Alarms			
Control Code	5-Second Warning	End-Bonus	Display During Program*
1	off	off	1 : _ _
2	off	On	2 : _ b
3	On	off	3 : b _
4	On	On	4 : b b

\* Note: The two right characters are the alarm settings.  
The left character is the 5-second alarm, the other is the end-bonus alarm.  
b = "buzz activated"; \_ = alarm is off.

**Match**  
1:00 – 60:00 minutes



**START HERE**

Press and hold this button while adjusting timers and alarms.

Press the button for the timer you want to adjust – hold that button down until desired time is displayed.

Release this button when changes are complete.

*Note: Adjustments can only be made when match timer is fully reset.*

**Toss Up**  
3.0 – 60.0 seconds

**Break**  
0:30 – 5:00 minutes

**Bonus**  
3.0 – 60.0 seconds

If you need a time not available on your timer, please contact us regarding customization.

**Novel Electronic Designs, Inc.**  
**BUZZERSYSTEMS.COM**

### *Troubleshooting the Match Timer*

<i>Symptom</i>	<i>Cause</i>	<i>What to do...</i>
<b>Timer doesn't light up</b>	Power pack defective	Try powering the timer with your buzzer system power pack – replace power pack
<b>When adjusting time, desired time is not available</b>	Only certain starting times are available for each timer.	If you need a specific time not presently available, please contact <a href="http://BuzzerSystems.com">BuzzerSystems.com</a> for customization
<b>Toss-Up Timer doesn't stop when player buzzes in</b>	Buzzer console not compatible with timer	Check bottom of controller for a sticker indicating its compatible with TIMER 300. If needed, contact <a href="http://BuzzerSystems.com">BuzzerSystems.com</a> to have buzzer console updated.
	Buzzer System malfunction	See buzzer console manual for troubleshooting suggestions
	No cable between timer and controller	Install cable
	Timer/controller cable not plugged in completely and/or connections are swapped	Check cable and make necessary changes
<b>Buzzer Console doesn't "timeout" when time expires</b>	No cable between timer and controller	Install cable
	Timer/controller cable not plugged in completely and/or connections are swapped	Check cable and make necessary changes
<b>Digits are dim</b>	Power Pack Faulty	Replace power pack
	Incorrect Power Pack being used	Use correct power pack, or contact <a href="http://BuzzerSystems.com">BuzzerSystems.com</a> for replacement.
<b>Timer resets while counting</b>	Intermittent AC Power	Replace power pack
	Power pack's cable or connector damaged	
	Power pack plugged into worn or loose outlet	Change to a different outlet
<b>Remote control intermittent or not functional</b>	Faulty remote-control cable	Replace cable
	Remote Control cable not connected correctly	Ensure remote control cable is plugged into REMOTE connector on timer Make sure connectors at both timer and remote are fully inserted.
<b>Buzzer Console signals "timeout" when timer is reset</b>	Cable connectors between buzzer and timer are swapped	Make sure cables are installed correctly (timekeeper to timekeeper, reset to reset)

**Novel Electronic Designs, Inc.**  
**BUZZERSYSTEMS.COM**